

LR150VD series Video Type Industrial LCD Monitor

15 Inch 1024×768 LED backlight Operation Temperature -20~70℃ Voltage DC 12V

[Module]



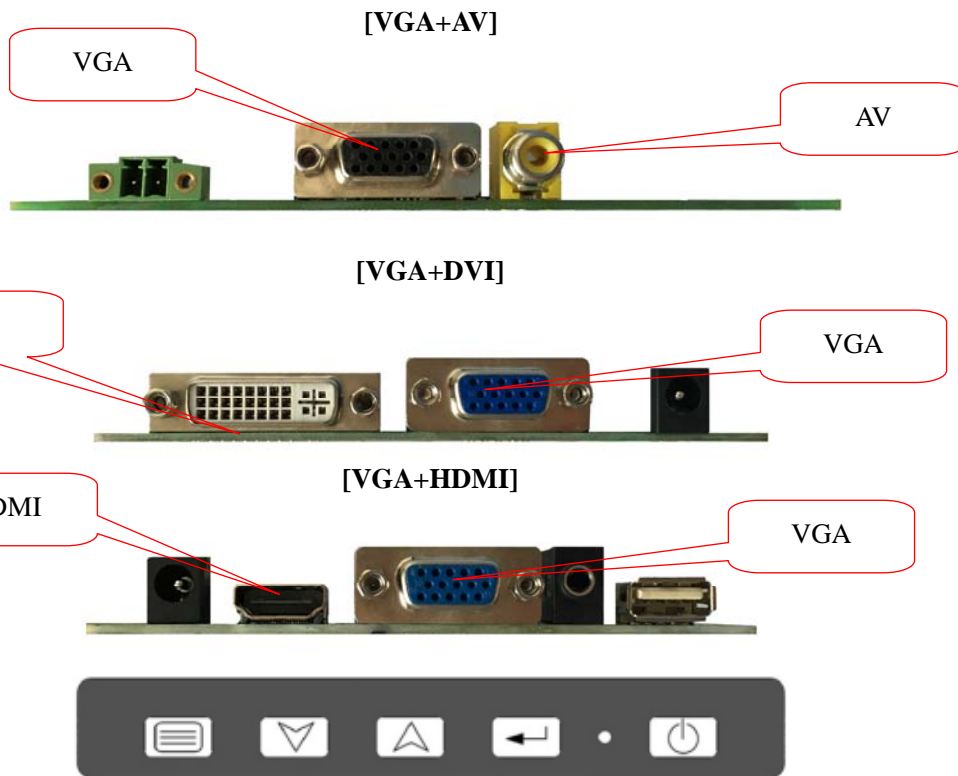
【Metal crust embedded installation】



Date	Revised Contents

● Characteristics

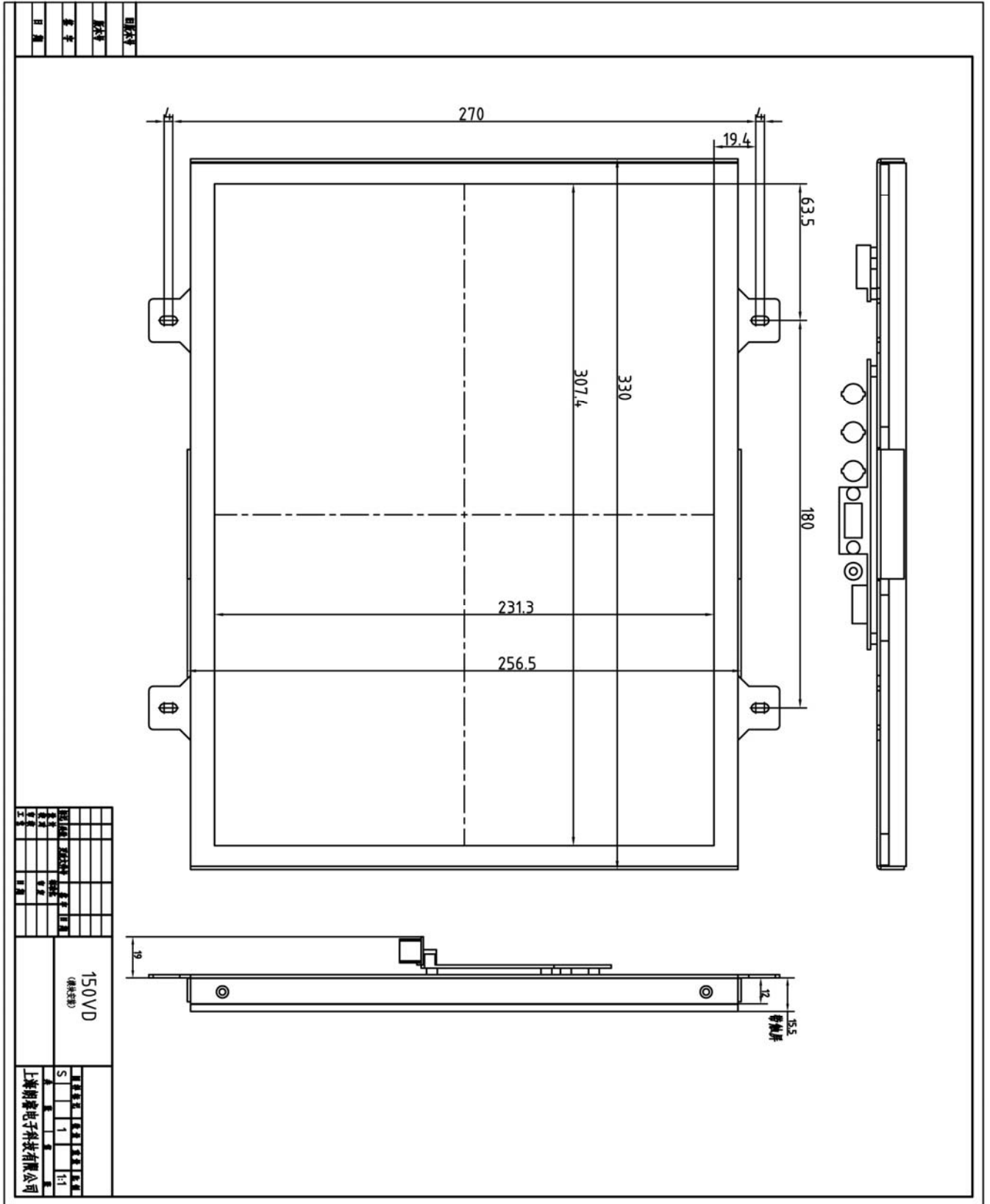
Product Model	LR150VDJ-E(Fundamental)	LR150VDB-E(Standard)
Screen Diagonal	15 Inch	
LCD Type	TFT LCD	
Pixels H×V	1024×3(RGB)×768	
Viewing Angle	Left 70 degree, Right 70 degree, Upper 60 degree, Lower 70 degree	
Input Voltage	DC 12V	
White Luminance	420cd/m ²	450cd/m ²
Power Consumption	12V/1.8A	12V/2A
Operating Temperature	-20℃ ~ +70℃	
Storage Temperature	-30℃ ~ +80℃	
Matching Device	Five-wire Touch Screen	
Installation Method	Modular or Metal crust embedded installation	



- Menu key. Press it to enter OSD main menu screen. Press again to select/adjust a parameter.
 - Be used to decrease/increase the selected parameter/value. The selection is automatically remembered by the system.
 - VGA/AV function switching key
 - Power indicator. It's on when the power is working properly.
 - Power switch key. Press it to toggle between ON and OFF. The system remembers the last switching state.
- ◆ : When DVI function is optional, OSD key is not available.

● Installation dimensions

1. Modular Installation



2. Metal crust
embedded installation

